

Technical data sheet for  
**GAS SALAMANDER**  
G91B

- Powerful infra-red gas burners
- Left and right individual burner controls
- Branding plate
- Wall mounting bracket
- Easy clean
- Easy service



G91B

**Overall Construction**

- Monocoque construction
- Enamelled front brow
- External panels of 0.9mm 304 grade stainless steel
- Stainless steel tray under grilling area with grease trough
- Two individually controlled 4.4kW infra-red burners
- Suitable for bench or wall mounting

**Racking**

- Four position racking (flat or inclined)

**Controls**

- Large easy use controls
- Heat resistant reinforced control knobs
- Variable high to low burner control
- Pilot burner with flame failure protection

**Cleaning and Servicing**

- Access to all parts from front of unit
- Stainless steel and enamelled surfaces used throughout

# Technical data sheet for GAS SALAMANDER

## Specifications

**Burners**  
2 x 4.4kW

**Gas power (gross)**  
8.8kW, 30,000 Btu/hr

**Gas connection**  
R 1/2 (BSP) female

## Dimensions

Width 900mm  
Depth 424mm (455mm with wall mounting bracket)  
Height 456mm

## Cooking area

Rack size 610mm x 310mm, 1890cm<sup>2</sup>  
Branding Plate 610mm x 310mm, 1890cm<sup>2</sup>

## Nett weight

42kg

## Packing data

0.31m<sup>3</sup>, 69kg  
Width 945mm  
Depth 520mm  
Height 635mm

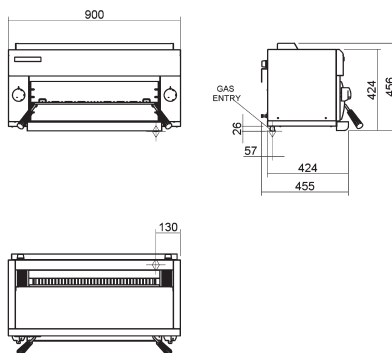
## Gas types

Available in both Natural gas and LP gas, please specify when ordering  
All units are supplied with gas conversion kits

## Options

100mm high feet for bench mounting

G91B



## United Kingdom

### Blue Seal Limited

Unit 67

Gravelly Business Park

Gravelly

Birmingham B24 8TQ

England

Telephone 0121-327 5575

Facsimile 0121-327 9711

Email [sales@blue-seal.co.uk](mailto:sales@blue-seal.co.uk)

[www.blue-seal.co.uk](http://www.blue-seal.co.uk)

## Australia

### Moffat Pty Limited

740 Springvale Rd

Mulgrave

Victoria 3170

Australia

Telephone 03-9518 3888

Facsimile 03-9518 3833

Email [vsales@moffat.com.au](mailto:vsales@moffat.com.au)

[www.moffat.com.au](http://www.moffat.com.au)

## New Zealand

### Moffat Limited

16 Osborne St

PO Box 10-001

Christchurch 8011

New Zealand

Telephone 03-389 1007

Facsimile 03-389 1276

Email [sales@moffat.co.nz](mailto:sales@moffat.co.nz)

[www.moffat.co.nz](http://www.moffat.co.nz)



ISO9001  
Quality  
Management  
Standard

Designed and manufactured by

**MOFFAT**

ISO9001

All Blue Seal products are designed and manufactured by Moffat using the internationally recognised ISO9001 quality management system, covering design, manufacture and final inspection, ensuring consistent high quality at all times.



In line with policy to continually develop and improve its products, Moffat Limited reserves the right to change specifications and design without notice.